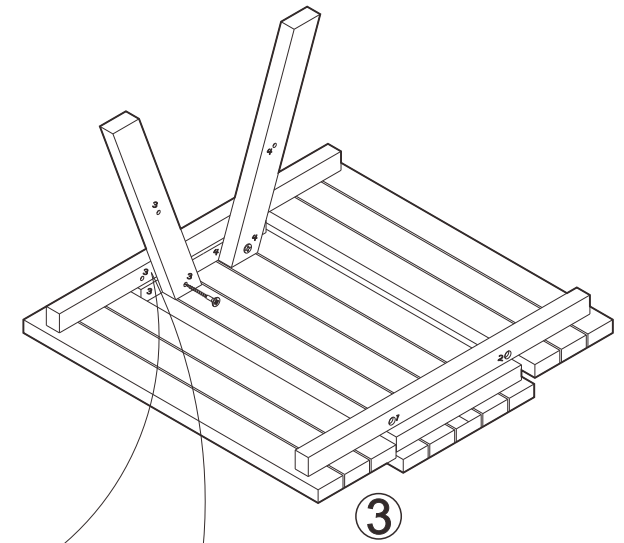
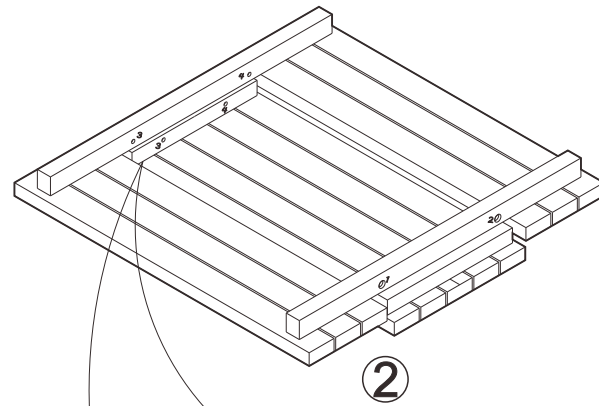
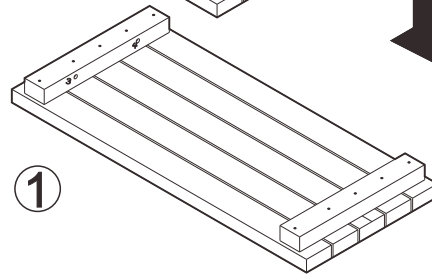
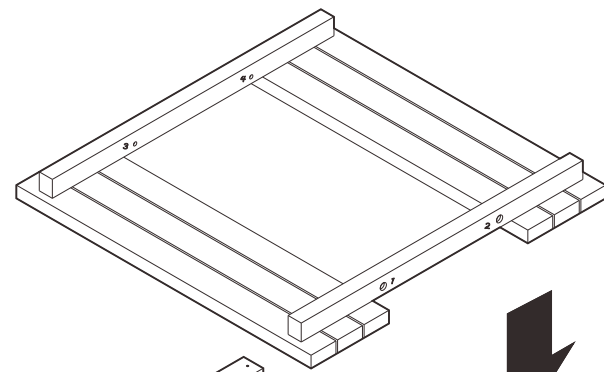
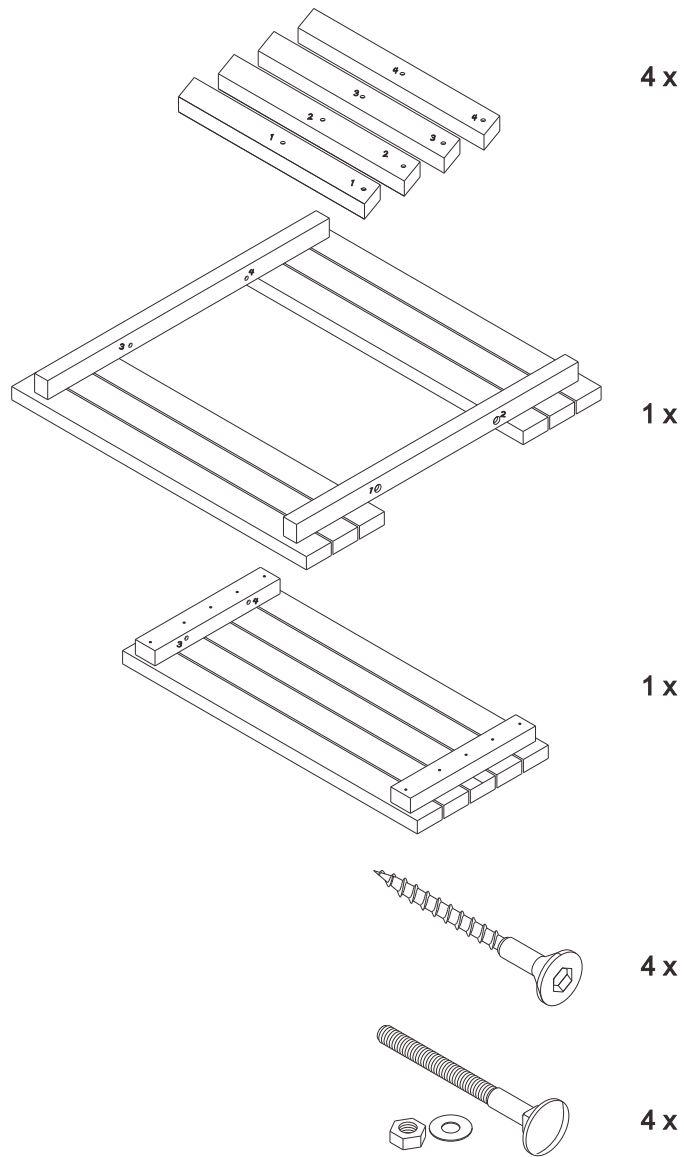


Timber Picnic Table

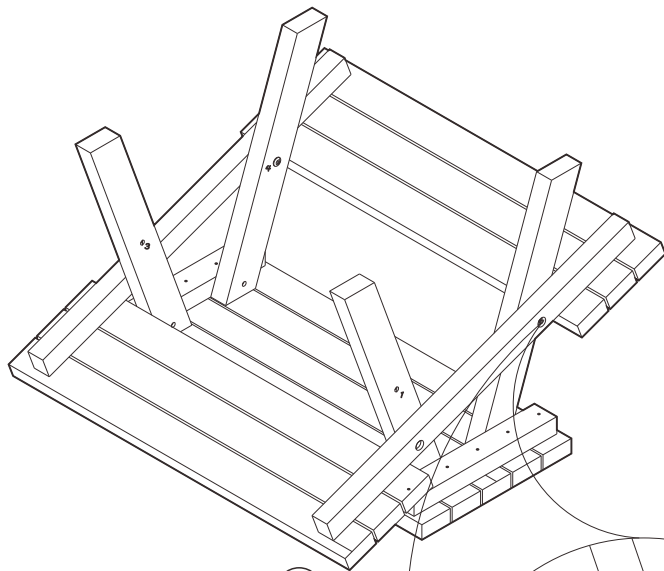
# Contain :



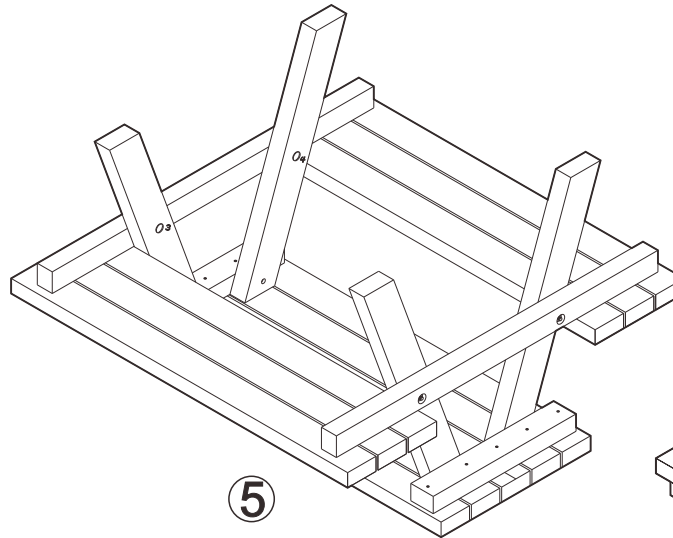
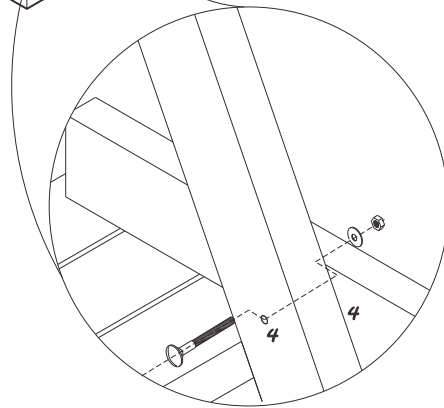
A. Lay Top down on a smooth surface.

B. Place the seat component top down over the Table Top, match the numbers on the top with the seat.

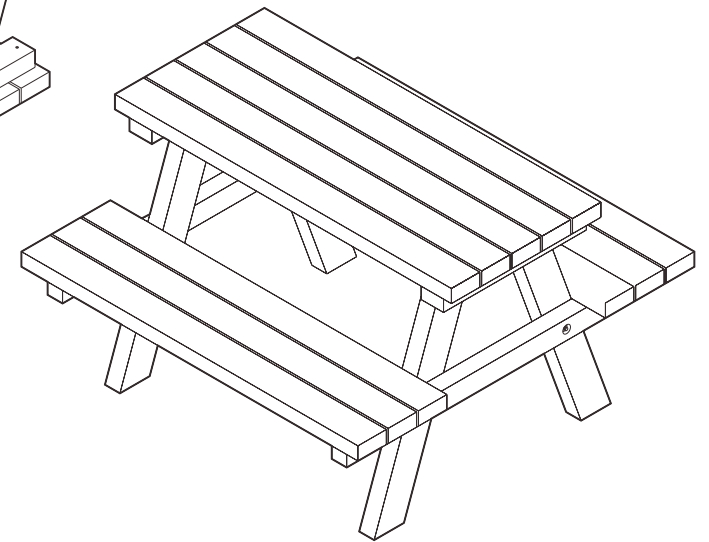
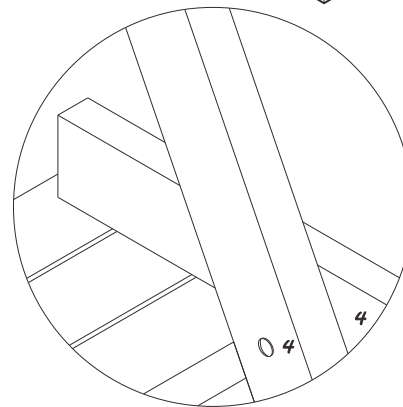
C. Match up the numbers on the legs with the Top & Seat components. Loosely screw the legs on to the table Top.



4



5



6

D. Once all legs are attached - Lift 1 side of the base up, line up the holes and insert the bolts with the nut facing out. Now do the same with the other side of the base. Again this must be firm but not tight.

E. Now flip over the table so its standing on its feet.

F. Press down on the table top so all legs are flat  
– now go back and tighten all bolts & screws.